

# Polymer preparation- and dosing system type FAB IBC 1000



Features

- Suitable for different kinds of dry products and liquid products
- 1 batch container as IBC made of plastic or optionally made of stainless steel V2A incl. baffle plate
- No „clumping“ by the use of an innovative mixing chamber
- Mixing water and polymer products carefully
- Easy operation via push buttons
- Controlling Siemens logo
- Fully automatic or manually operatable
- High-quality industrial components such as engine ball valves, etc.
- Extensive options and individual adaptation

Technical description and process

The **waterprocesstec polymer preparation systems FAB IBC 1000** were developed to allow a controlled dispersion of polyelectrolytes in water. The systems serve the recognition and treatment of solid and liquid polyelectrolytes regardless of the manufacturer. The concentration (dependent of the product) of the stock solution is ca. 0,5 - 1,0 weight%. The **waterprocesstec polymer preparation systems** are mainly designed for fully automatic operation with manual possibility anytime.



Through the water fast filling a water trap is introduced to the wetting of the agitators in the mixing tank. **The level** is measured continuously. Then the required quantity of polymer is metered by a dry material feeder. The concentration of this can also be stored in control.



Via the discharge screw the powder transport carried in **the mixing head**. Already here wetting with water take place. The early mixing prevented clumping on the water surface. An agitator is mixing the water with the polymer carefully until the maturation period has expired.



## Options

For an optimal adaptation and integration into your process numerous options are available:

- Transfer or dosing pumps
- Stainless steel container as maturing tank or transfer buffer tank

There are numerous optional interfaces for integration into your process or connection to your process control system. You can communicate with our systems via Profibus or Ethernet. In the interfaces you will find all parameters of our system.

Furthermore, we are able to integrate your storage tank systems or equipment components in our touch panel and visualize this.

If your equipment does not have interfaces, a connection via analog inputs/outputs and binary signals is possible.

## Application areas

The **waterprocesstec polymer preparation and dosing systems** are used in the treatment of municipal and industrial wastewater in sewage plants, the recycling of process and circuit water as well as the clarification of raw and surface water for the production of industrial and drinking water. Other applications (chemical industry, paper industry, power stations) are possible without doubts.

If you have any questions regarding your customer-specific solution, please do not hesitate to contact us.

Technical data

**Volume size of batching tank**

IBC1000 gross 1 x 1000 liters

**Batch quantity (application- or stock solution)**

IBC1000 1000 liters/h with water supply of min. 3 m<sup>3</sup>/h

**Batch concentration and polymer amount (higher concentrations upon request)**

IBC1000 10 kg/h with 1% solution

**Water quality**

temperature +5°C...+45°C (other ranges upon request)

**Volume Dry Material Feeder Type TGD301 (bigger System is option)**

Standard 75Kg gross, 50Kg net

**Supply voltage and connected load**

IBC1000 3 x 400 VAC+N+PE, 3 x 16A

**Materials**

Batching tank	IBC plastic tank
Pipelines	stainless steel V2A
Machine frames	stainless steel V2A
Dry material feeder	stainless steel V2A
Control cabinet	sheet steel painted

**Electrical components (if not otherwise requested)**

Control SPS	Siemens
Touch panel (optional)	promesstec TSP...
Emergency-off relay	Pilz
Control elements	Siemens
Contactors	Siemens
Motor protection switches	Siemens
Terminals	Phoenix
Safety switch	Schmersal
Measurement	BD SENSORS, Endress&Hauser, promesstec
Motor ball valves	END
Agitators	SEW-Motoren, rest own manufacturing facilities
Pumps	Netzsch

Order Code FAB IBC 1000-...

Medium

-A for Powder Polymer

IBC-Tank

-0 without IBC-Tank  
-1 incl. IBC Tank 1000 Liter

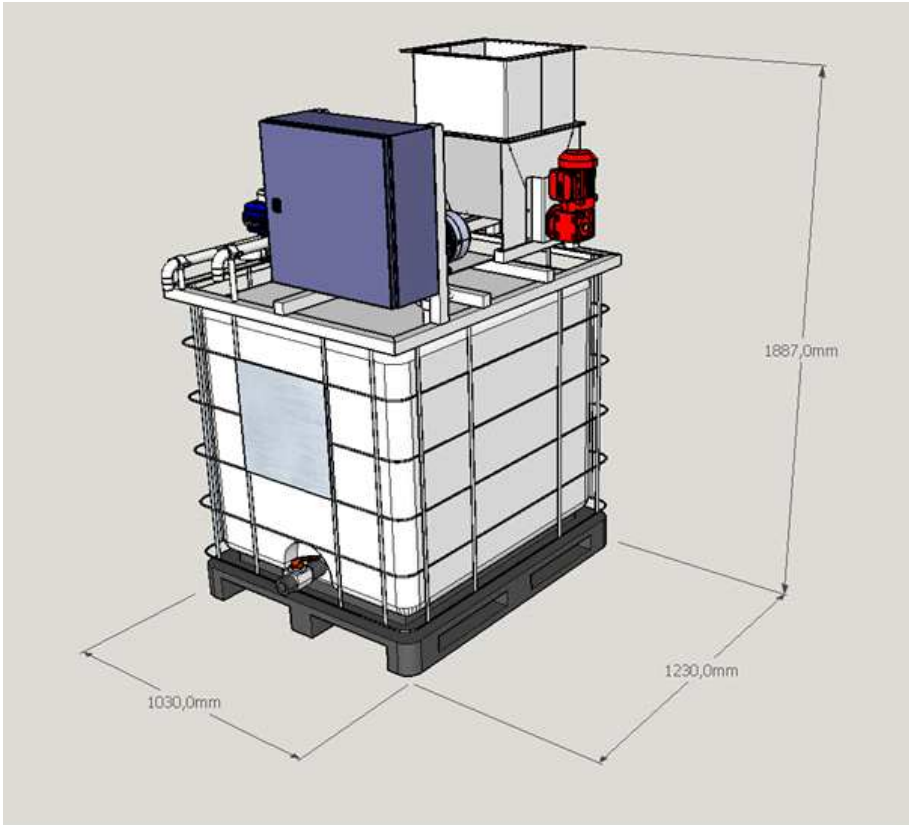
Dry Material Feeder

-A Dry Material Feeder type TGD 301, Volumen 50Kg net

Transferpump

-0 without Transferpump  
-1 incl. Transferpump, max. Flow Rate 52l/min

Dimensions



3D View

